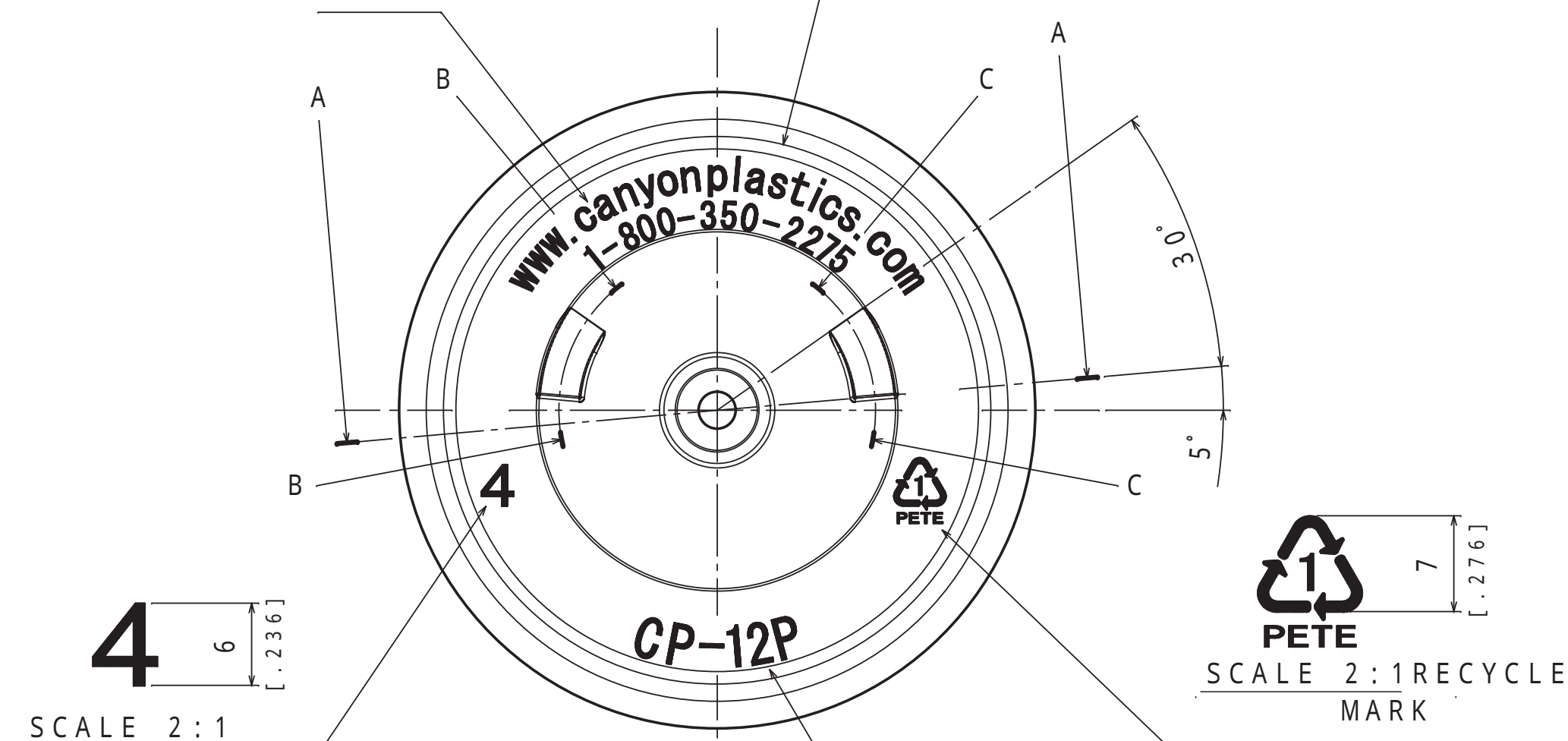


www.canyonplastics.com
1-800-350-2275

SCALE 2:1

LOGO

P/L

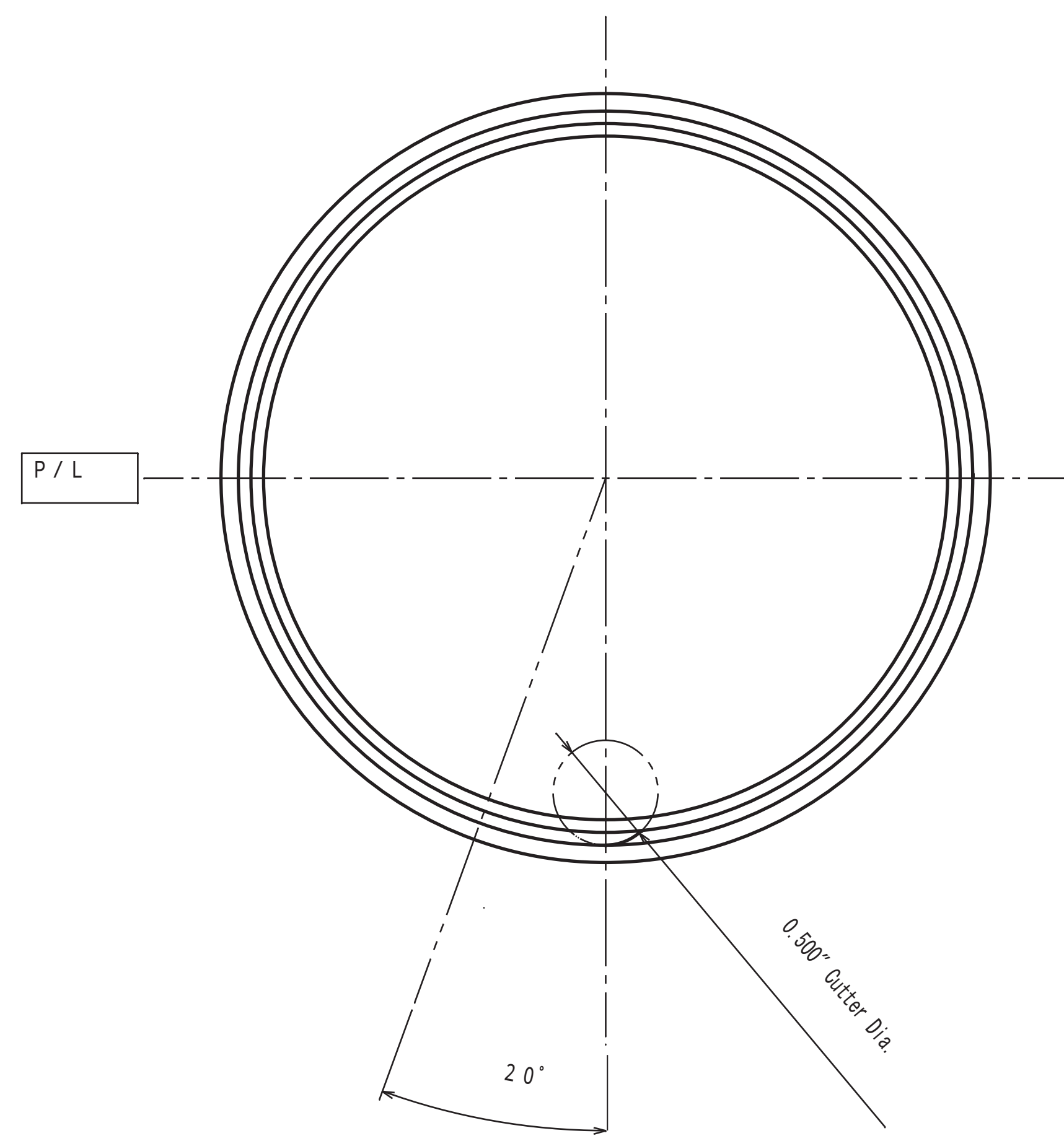


SCALE 2:1

CAV. NO.



SCALE 2:1



Canyon Plastics, Inc.

28455 Livingston Ave,
Valencia, CA 91355
Phone: (661)257-4293 Fax: (661) 257-1680

TITLE:	CP-12-89PET 12oz Round Canister 89 MM	DATE:	
SCALE:	1 : 1	REV:	N/A
DRAWING NO.:			

CAPACITY	12 oz.
RESIN	PET
NECK FINISH	M89-SP400 MOD.
WEIGHT (GR)	37.5 Gr +/- 1.5Gr
O.F.C.	13.492 fl oz / 399 ML Liquid